

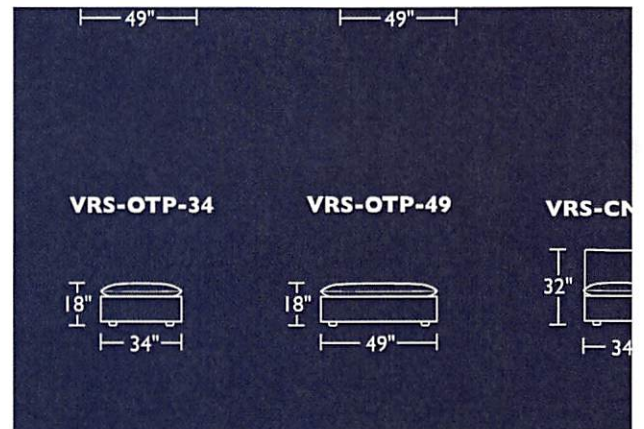
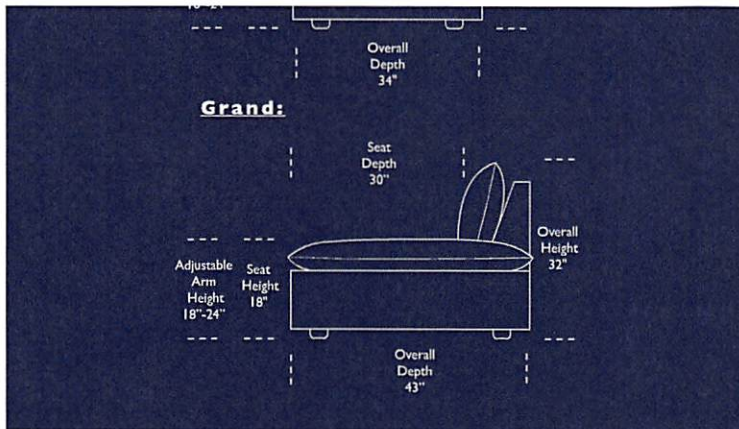
VERSA

FEATURES

DETAILS

DESIGN

FIND A



[DOWNLOAD SPEC SHEET](#)

For more information, download our spec sheet

DESIGN SHOWN IN FOUR-SEAT SOFA



◀ Drag to Rotate. Click to Zoom ▶



AMERICAN EYE

THE WASHINGTON DESIGN CENTER

1099 14TH STREET, NW * SUITE 300 WEST * WASHINGTON, DC 20005
202.554.5744 VOICE * 202.554.5745 FACSIMILE

WWW.AMERICANEYEWDC.NET

Quote

0798

10/15/2019

Sold To: AmericanEye Showroom 1099 14th Street NW Suite 300 West Washington, DC 20005	Resale #:	Manufacturer: AmericanEye Collection
Attn: Phone 202-554-5744 Fax: 202-554-5745		FOB: Ship Via: Best Way Terms: Proforma Freight Terms: Proforma Pricing: List
Ship To:		Final Dest: Client P.O.: Est Shipping: Salesperson: KEN Sidemark: AMERICAN EYE /
Attn: Phone	Fax:	

	Unit Price	Total
Quantity: 1	\$8,770.00	\$8,770.00
Unit: Each		
Product #: VERSA SERIES		
Description: Versa Grand Sectional Series by American Leather		
Designed for extreme comfort and absolute versatility. Versa is an easy to configure modular collection that delivers unlimited options. The collection is available in two depths and features an innovative propping mechanism in the arm pillows. Whether in a loft or an expansive home, Versa provides a customized seating solution for any room.		
VRS-C2L-RA @ 59 x 43 x 32 High		
VRS-C2L-AA @ 43 x 43 x 32 High		
Leather: Bison / white		
Down Seat Cushions		