

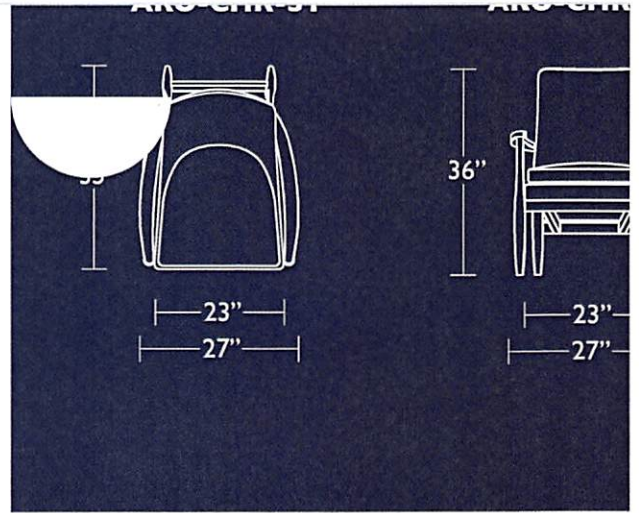
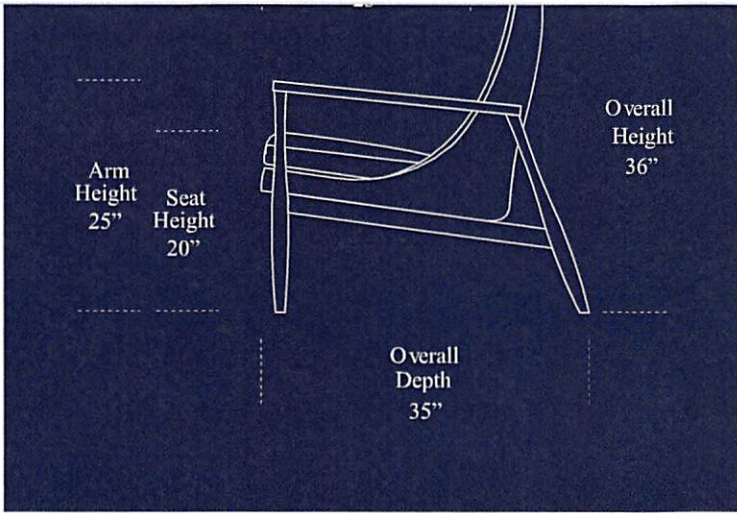
AARON

FEATURES

DETAILS

DESIGN

FIND A



[DOWNLOAD SPEC SHEET](#)

For more information, download our spec sheet

DESIGN



◀ Drag to Rotate. Click to Zoom ▶



AMERICAN EYE

THE WASHINGTON DESIGN CENTER

1099 14TH STREET, NW * SUITE 300 WEST * WASHINGTON, DC 20005
 202.554.5744 VOICE * 202.554.5745 FACSIMILE

WWW.AMERICANEYEWDC.NET

Quote

0798

10/15/2019

<p>Sold To: AmericanEye Showroom 1099 14th Street NW Suite 300 West Washington, DC 20005</p> <p>Attn: Phone 202-554-5744 Fax: 202-554-5745</p> <p>Ship To:</p> <p>Attn: Phone Fax:</p>	<p>Resale #:</p> <p>Manufacturer: AmericanEye Collection</p> <p>FOB:</p> <p>Ship Via: Best Way</p> <p>Terms: Proforma</p> <p>Freight Terms: Proforma</p> <p>Pricing: List</p> <p>Final Dest:</p> <p>Client P.O.:</p> <p>Est Shipping:</p> <p>Salesperson: KEN</p> <p>Sidemark: AMERICAN EYE /</p>
--	---

	Unit Price	Total
Quantity: 2	\$3,810.00	\$7,620.00
Unit: Each		
Product #: ARO-CHR-ST		
Description: Aaron Chair		
27 x 35 x 36 High		
Natural Walnut		
Cover: FLG1821 Winter Pine		
Option: Gray Ash Finish		
Option: AML Fabric / AML Leather / COM / COL		